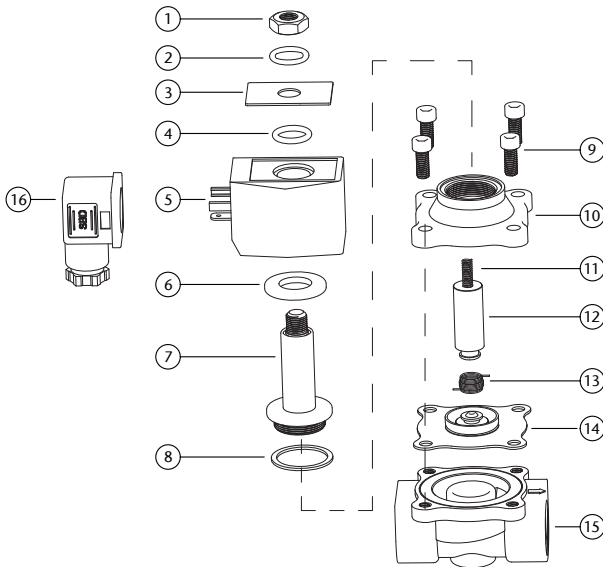


## Parts Diagram

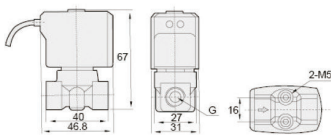


N.	Component	Material
1	Lock Nut	Stainless Steel 302
2	Washer	Stainless Steel 302
3	Plate	Aluminium
4	O Ring	NBR/EPDM/Viton
5	Coil	Enamelled Wire
6	Baseplate	Plated Steel
7	Plunger Tube Unit	Stainless Steel 304 +1J117
8	Plunger Tube Seal	PTFE
9	Bolt	Stainless Steel 302
10	Valve Cover	Brass/Stainless Steel 316
11	Plunger Spring	Stainless Steel 304
12	Pilot Unit	Stainless Steel 304 +1J117
13	Coil Spring	Stainless Steel 304
14	Diaphragm Unit	NBR/EPDM/Viton
15	Valve Body	Brass/Stainless Steel 316
16	Plug	Nylon

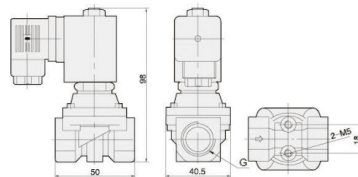
Available in 240VAC, 110VAC  
12VDC, 24VDC, 24VAC

## Main Dimensions

Orifice: 2.5mm - Port: 1/8" & 1/4"

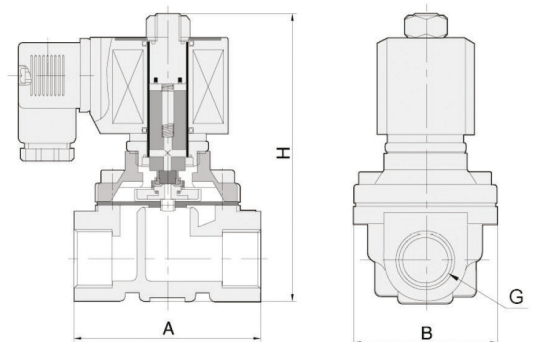
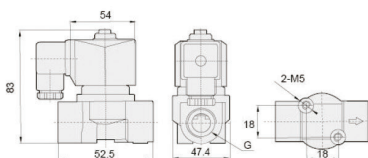


Orifice: 10mm - Port: 1/4", 3/8, 1/2"



Large Orifice - See Table Opposite

Orifice: 2.5mm - Port: 1/8" & 1/4"



# 2/2 Solenoid Valve Normally Closed

## Valve Specification

Port Size (G)	Orifice	CV Value	Pressure Difference (Bar)								Max. Temp. (°C)	VA AC 220V	W DC 24V	Diaphragm	Main Dimension	
			Min.	Max. Working Pressure						Ax					Bx	H
				Air / Gas		Water / Hot Liquid		Light Oil ≤20CST								
				AC	DC	AC	DC	AC	DC							
1/8"	2.5	0.23	0	7	5	7	5	7	5	80	13	8.5	NBR			
	2.5	0.23	0	7	5	7	5	-	-	120	13	8.5	EPDM			
	2.5	0.23	0	7	5	7	5	7	5	120	13	8.5	VITON			
1/4"	2.5	0.23	0	7	5	7	5	7	5	80	13	8.5	NBR			
	2.5	0.23	0	7	5	7	5	-	-	120	13	8.5	EPDM			
	2.5	0.23	0	7	5	7	5	7	5	120	13	8.5	VITON			
	10	1	0	20	16	20	16	20	16	80	22	13	NBR			
	10	1	0	20	16	20	16	-	-	120	22	13	EPDM			
	10	1	0	20	16	20	16	20	16	120	22	13	VITON			
3/8"	4	0.6	0	8	5	8	5	5	5	80	33	20	NBR			
	4	0.6	0	8	5	8	5	-	-	120	33	20	EPDM			
	4	0.6	0	8	5	8	5	5	5	120	33	20	VITON			
	10	1.8	0	20	16	20	16	20	16	80	22	13	NBR			
	10	1.8	0	20	16	20	16	-	-	120	22	13	EPDM			
	10	1.8	0	20	16	20	16	20	16	120	22	13	VITON			
	16	4.8	0	10	6	10	6	7	4	80	33	20	NBR			
	16	4.8	0	10	6	10	6	-	-	120	33	20	EPDM			
	16	4.8	0	10	6	10	6	7	4	120	33	20	VITON			
1/2"	10	1.9	0	20	16	20	16	20	16	80	22	13	NBR			
	10	1.9	0	20	16	20	16	-	-	120	22	13	EPDM			
	10	1.9	0	20	16	20	16	20	16	120	22	13	VITON			
	16	4.8	0	10	6	10	6	7	4	80	33	20	NBR			
	16	4.8	0	10	6	10	6	-	-	120	33	20	EPDM			
	16	4.8	0	10	6	10	6	7	4	120	33	20	VITON			
3/4"	20	7.6	0	10	6	10	6	7	4	80	33	20	NBR	73x57x114		
	20	7.6	0	10	6	10	6	-	-	120	33	20	EPDM	73x57x114		
	20	7.6	0	10	6	10	6	7	4	120	33	20	VITON	73x57x114		
1"	25	12	0	10	6	10	6	7	4	80	33	20	NBR	99x77x121		
	25	12	0	10	6	10	6	-	-	120	33	20	EPDM	99x77x121		
	25	12	0	10	6	10	6	7	4	120	33	20	VITON	99x77x121		
	25	12	0	10	6	3	3	-	-	120	33	20	Silicon Rubber	99x77x121		
1.1/4"	35	24	0	10	6	10	6	7	4	80	70	40	NBR	112x86.5x150		
	35	24	0	10	6	10	-	-	-	120	70	40	EPDM	112x86.5x150		
	35	24	0	10	6	10	6	7	4	120	70	40	VITON	112x86.5x150		
1.1/2"	40	29	0	10	6	10	6	7	4	80	70	40	NBR	123x94x160		
	40	29	0	10	6	10	-	-	-	120	70	40	EPDM	123x94x160		
	40	29	0	10	6	10	6	7	7	120	70	40	VITON	123x94x160		
2"	50	48	0	10	6	10	6	7	4	80	70	40	NBR	168x123x183		
	50	48	0	10	6	10	-	-	-	120	70	40	EPDM	168x123x183		
	50	48	0	10	6	10	6	7	4	120	70	40	VITON	168x123x183		
1" Flange Connection	25	12	0	10	6	10	6	7	4	80	70	40	NBR	140x115x160		
	25	12	0	10	6	10	-	-	-	120	70	40	EPDM	140x115x160		
	25	12	0	10	6	10	6	7	4	120	70	40	VITON	140x115x160		
1.1/4" Flange Connection	32	24	0	10	6	10	6	7	4	80	70	40	NBR	152x135x215		
	32	24	0	10	6	10	-	-	-	120	70	40	EPDM	152x135x215		
	32	24	0	10	6	10	6	7	4	120	70	40	VITON	152x135x215		
1.1/2" Flange Connection	40	29	0	10	6	10	6	7	4	80	70	40	NBR	152x135x215		
	40	29	0	10	6	10	-	-	-	120	70	40	EPDM	152x135x215		
	40	29	0	10	6	10	6	7	4	120	70	40	VITON	152x135x215		
2" Flange Connection	50	48	0	10	6	10	6	7	4	80	70	40	NBR	195x160x220		
	50	48	0	10	6	10	-	-	-	120	70	40	EPDM	195x160x220		
	50	48	0	10	6	10	6	7	4	120	70	40	VITON	195x160x220		
2.1/2" Flange Connection	65	75	0	6	5	6	5	3	2	80	55	64	NBR	250x185x308		
	65	75	0	6	5	6	5	-	-	120	55	64	EPDM	250x185x308		
	65	75	0	6	5	6	5	3	2	120	55	64	VITON	250x185x308		
3" Flange Connection	80	90	0	6	5	6	5	3	2	80	55	64	NBR	270x202x320		
	80	90	0	6	5	6	5	-	-	120	55	64	EPDM	270x202x320		
	80	90	0	6	5	6	5	3	2	120	55	64	VITON	270x202x320		
4" Flange Connection	100	160	0	6	5	6	5	3	2	80	55	64	NBR	342x222x345		
	100	160	0	6	5	6	5	-	-	120	55	64	EPDM	342x222x345		
	100	160	0	6	5	6	5	3	2	120	55	64	VITON	342x222x345		

Please refer to our price list for stocked items

Dimensions in mm

This data sheet is designed as a guide and should not be regarded as wholly accurate in every detail. We reserve the right to amend the specification of any product without notice.